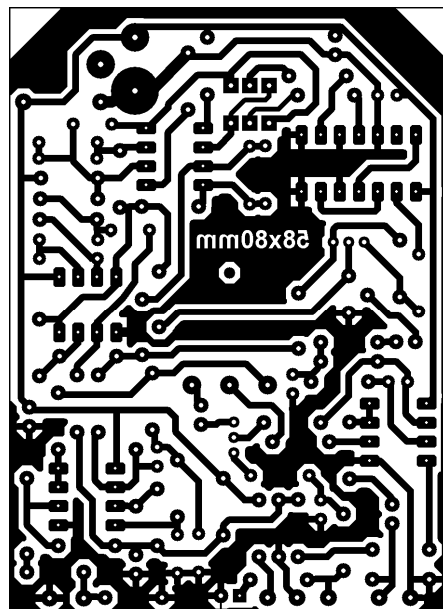
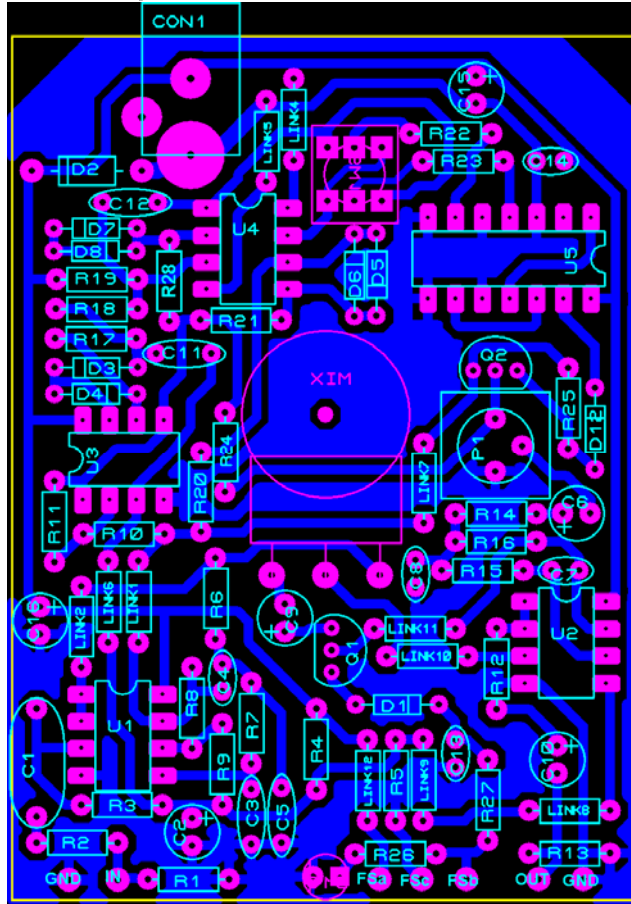


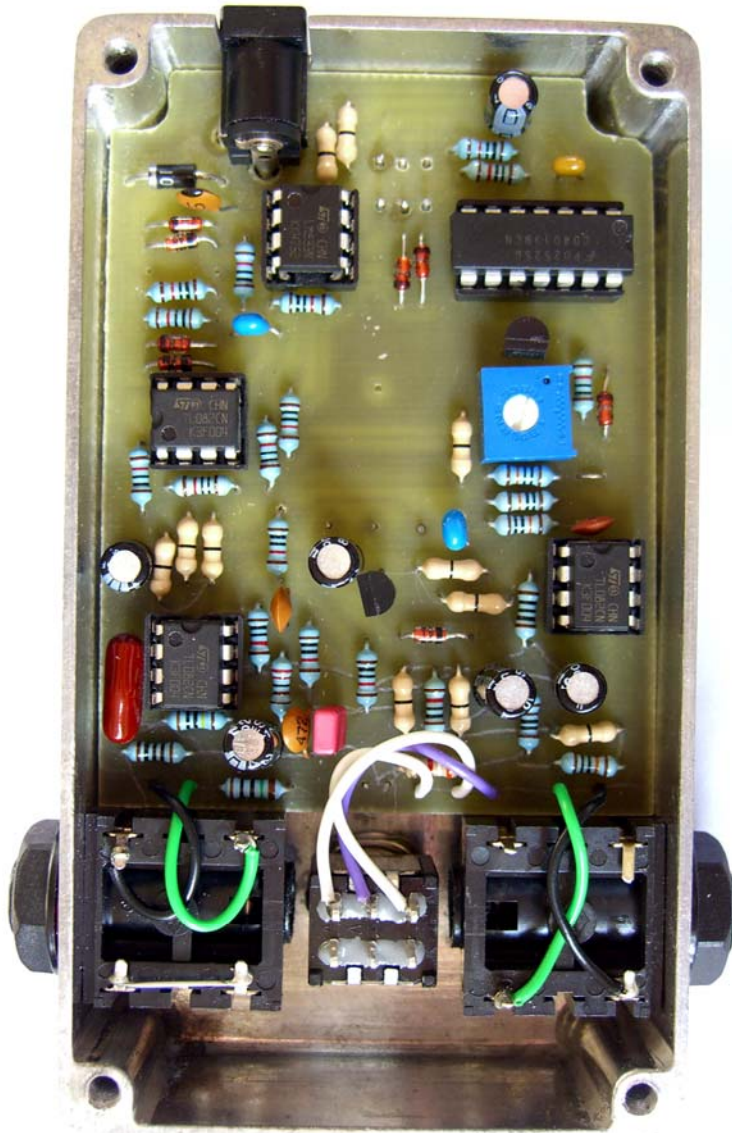
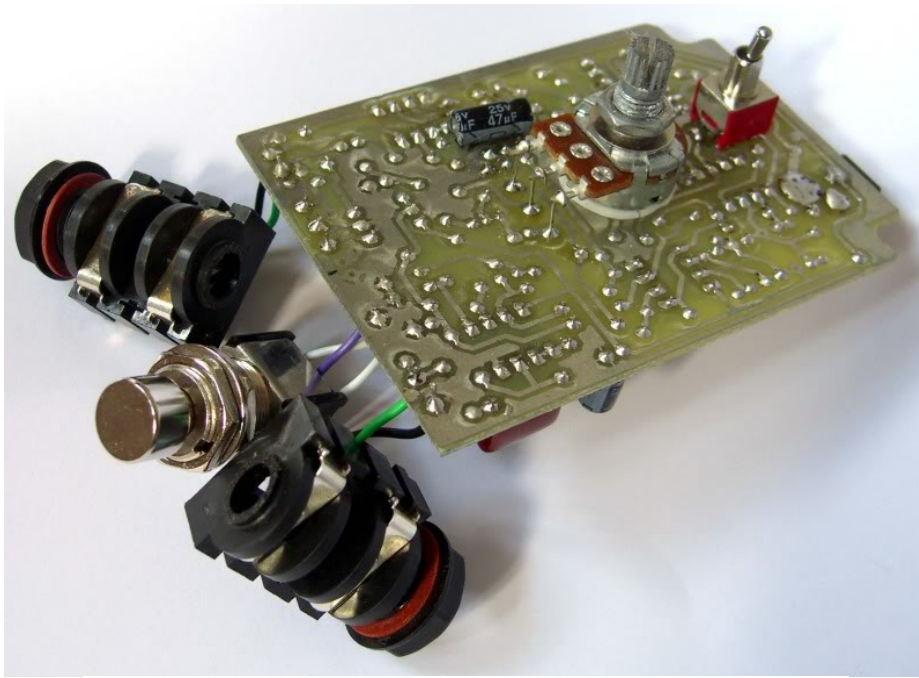
U-Boat

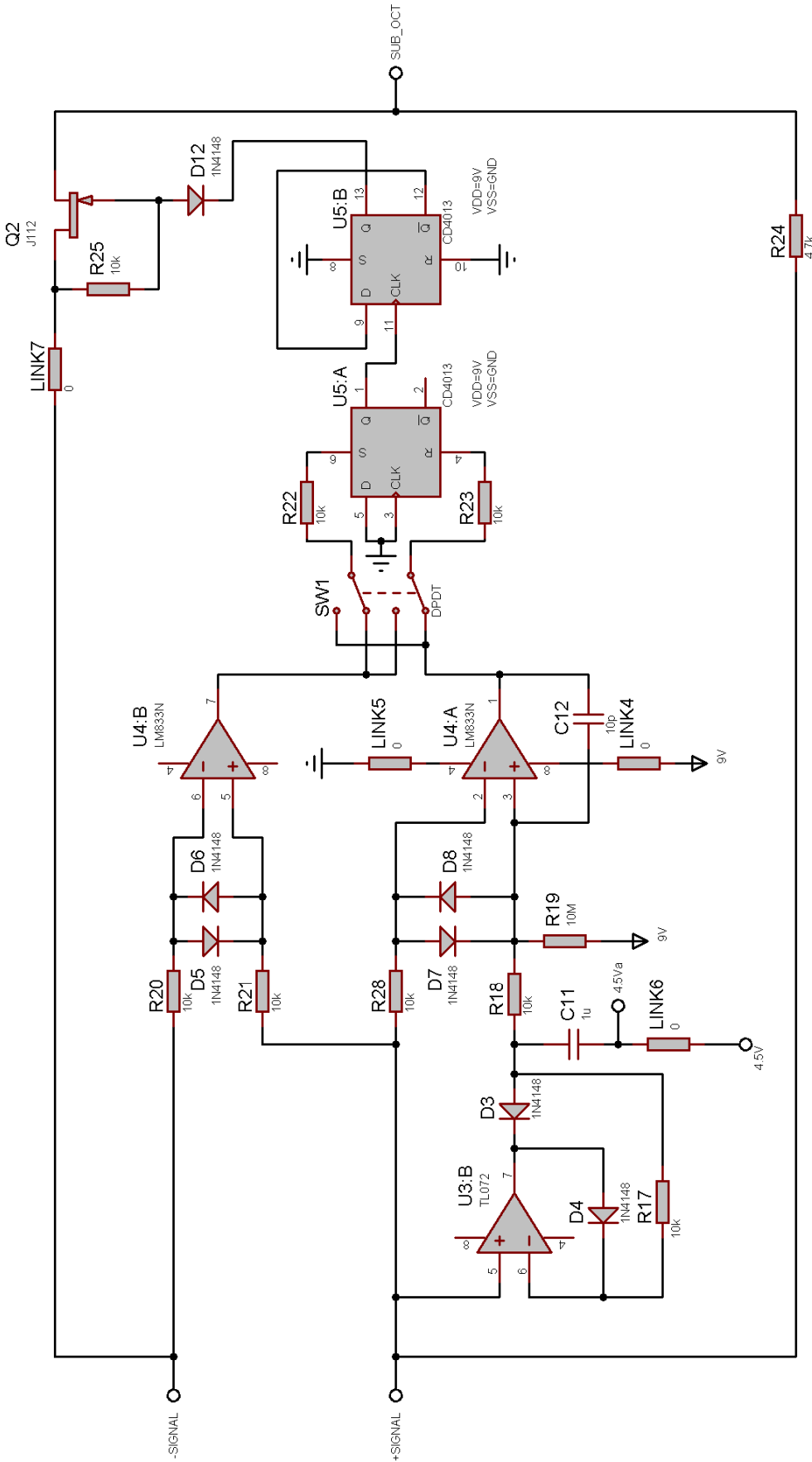
Analog Sub-Octave

by The ValveWizard



PCB 58 x 80mm





Bill Of Materials For U-Boat Sub-Octave

Design Title : U-Boat Sub-Octave
Author : Valve Wizard
Revision :
Design Created : 04 July 2011
Design Last Modified : 14 August 2014
Total Parts In Design : 76

28 Resistors

<u>Quantity:</u>	<u>References</u>	<u>Value</u>	<u>Notes</u>
1	R1	10M	
2	R2, R12	100R	
4	R3-R5, R27	1M	
12	R6-R8, R10, R11, R18, R20-R23, R25, R28	10k	
1	R9	2.2k	
1	R13	100k	
3	R14-R16	47k	
1	R17	10k	Adjust for best tracking
1	R19	10M	Optional: Do not use with LM833.
2	R24, R26	4.7k	

16 Capacitors

<u>Quantity:</u>	<u>References</u>	<u>Value</u>	<u>Notes</u>
2	C1, C14	100n	
4	C2, C6, C9, C10	10u	
2	C3, C4	4.7n	
2	C5, C8	22n	
1	C7	2.2n	
1	C11	1u	
1	C12	10p	
1	C13	10n	
2	C15, C16	47u	

5 Integrated Circuits

<u>Quantity:</u>	<u>References</u>	<u>Value</u>	<u>Notes</u>
------------------	-------------------	--------------	--------------

3	U1-U3	TL072	
1	U4	LM833N	Other opamps will work
1	U5	CD4013	

2 Transistors

<u>Quantity:</u>	<u>References</u>	<u>Value</u>	<u>Notes</u>
1	Q1	J112	Other JFETs will work, except J111
1	Q2	J112	

10 Diodes

<u>Quantity:</u>	<u>References</u>	<u>Value</u>	<u>Notes</u>
8	D1, D3-D8, D12	1N4148	
1	D2	1N4001	
1	D13	LED	

15 Miscellaneous

<u>Quantity:</u>	<u>References</u>	<u>Value</u>	<u>Notes</u>
1	CON1	2.1mm	
11	LINK1, LINK2, LINK4-LINK12	0	
1	MIX	10k lin	
1	P1	100k	Trimpot
1	SW1	DPDT	

14 August 2014 18:54:02