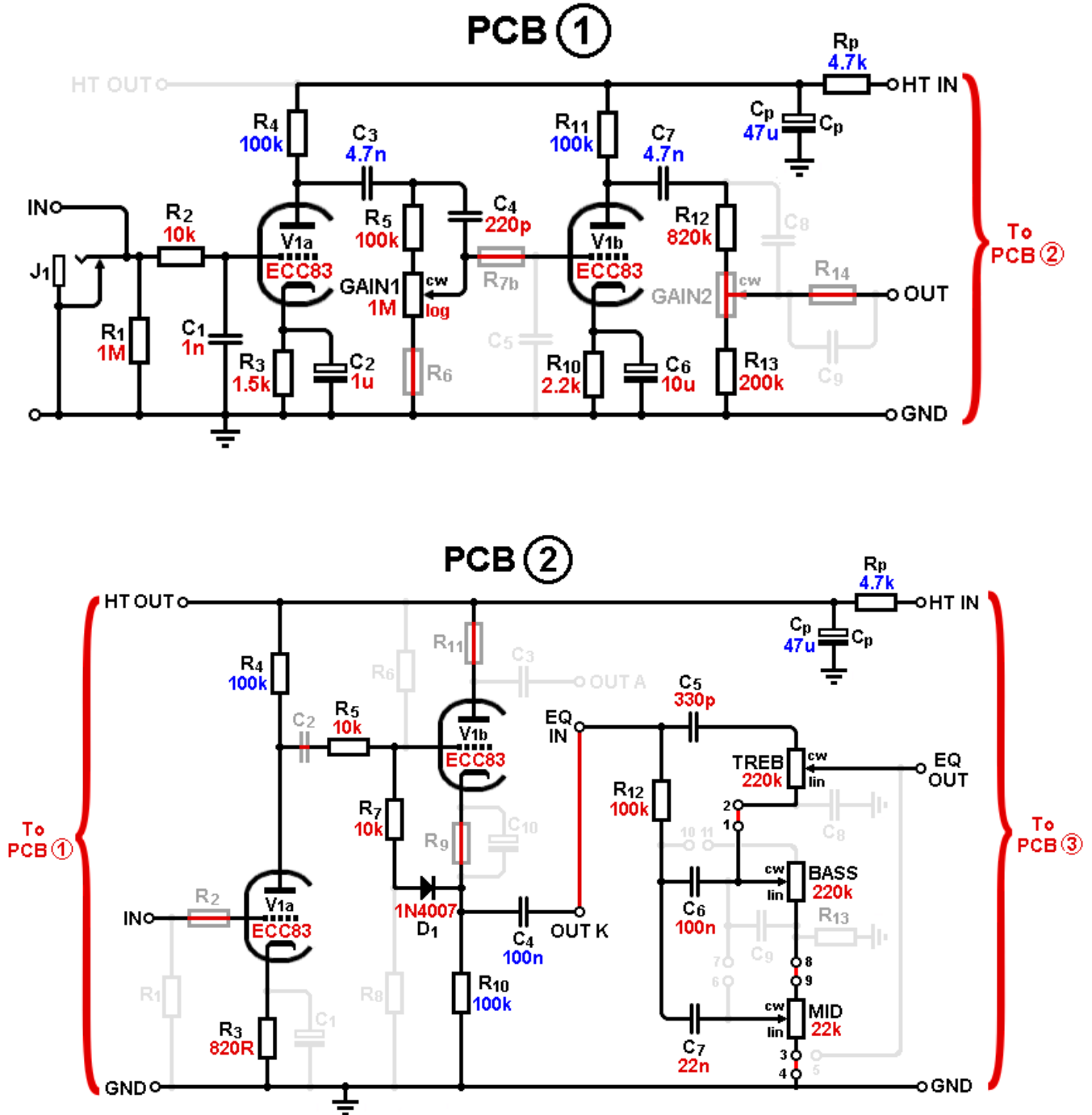
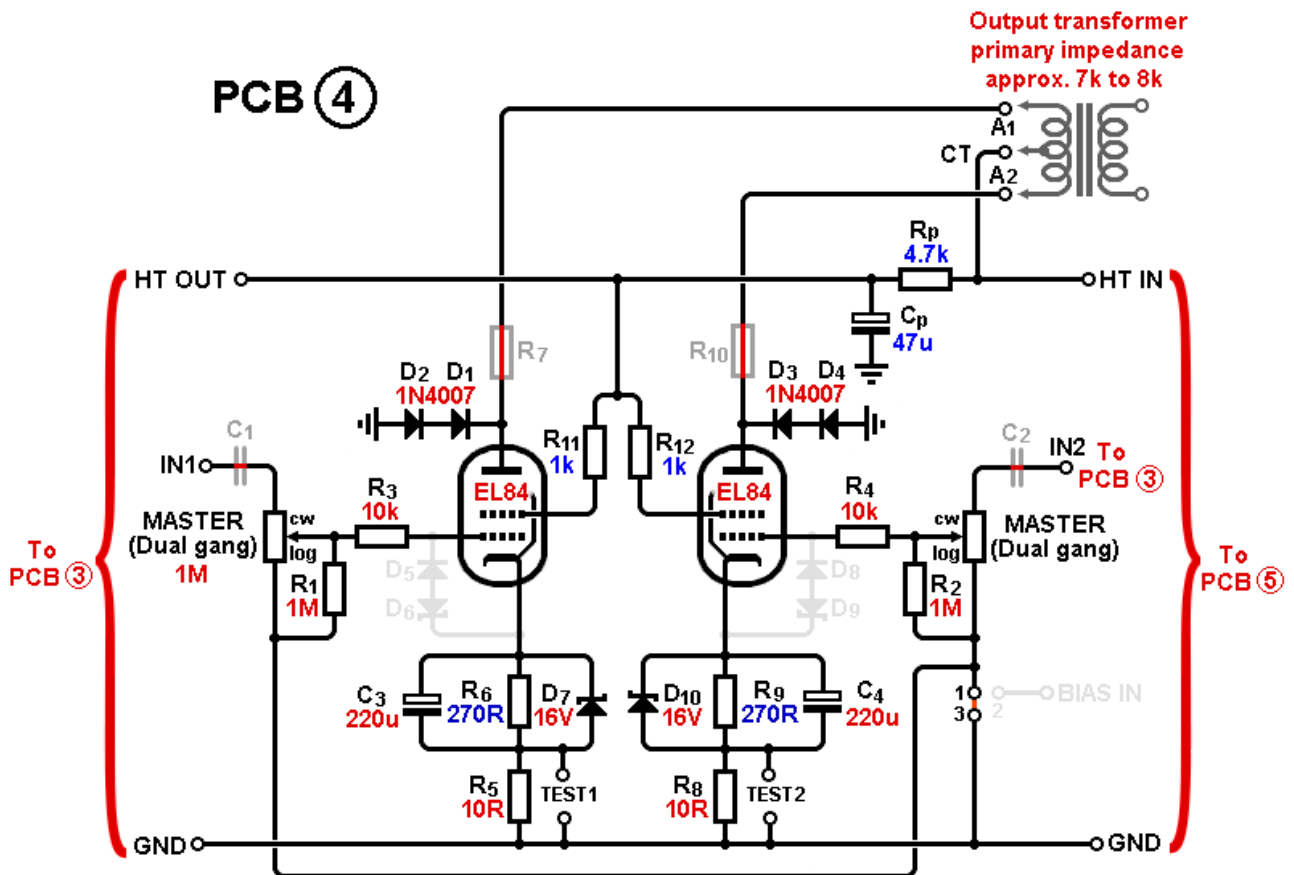
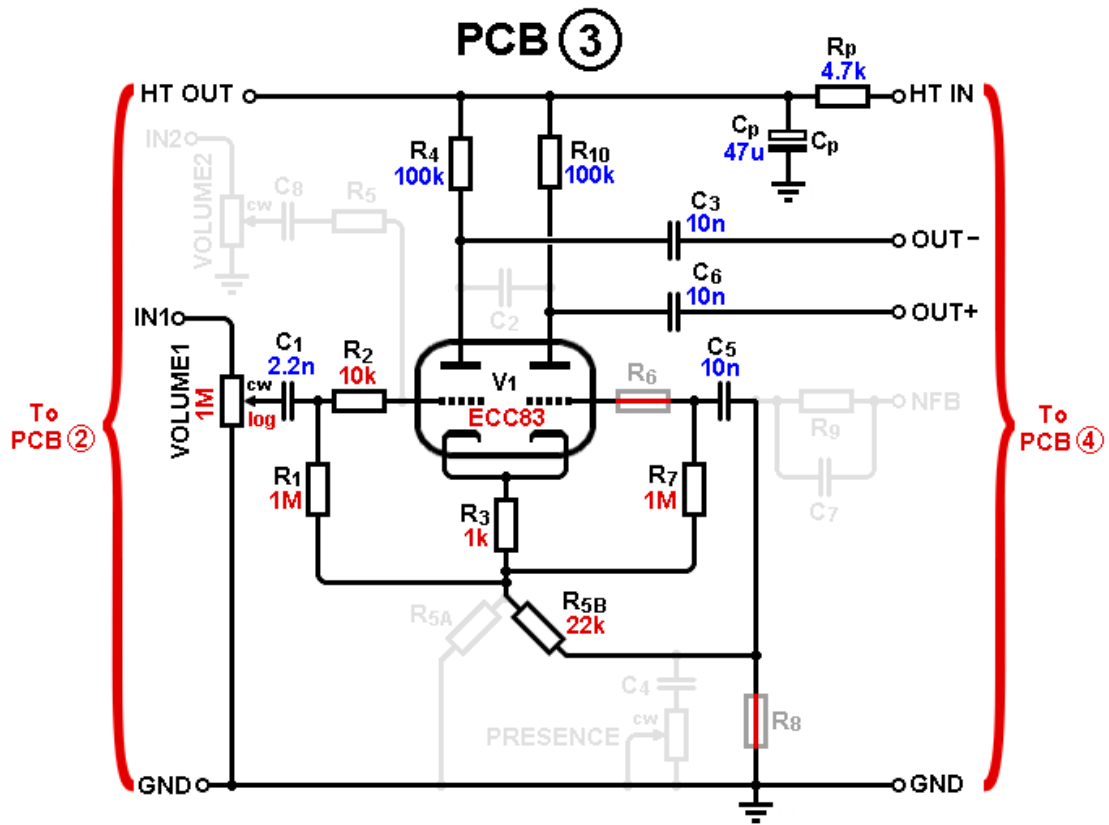


VWAC15: Push-Pull EL84 Guitar Amplifier

Suggested circuit using ValveWizard universal amp PCBs: basic set of five.

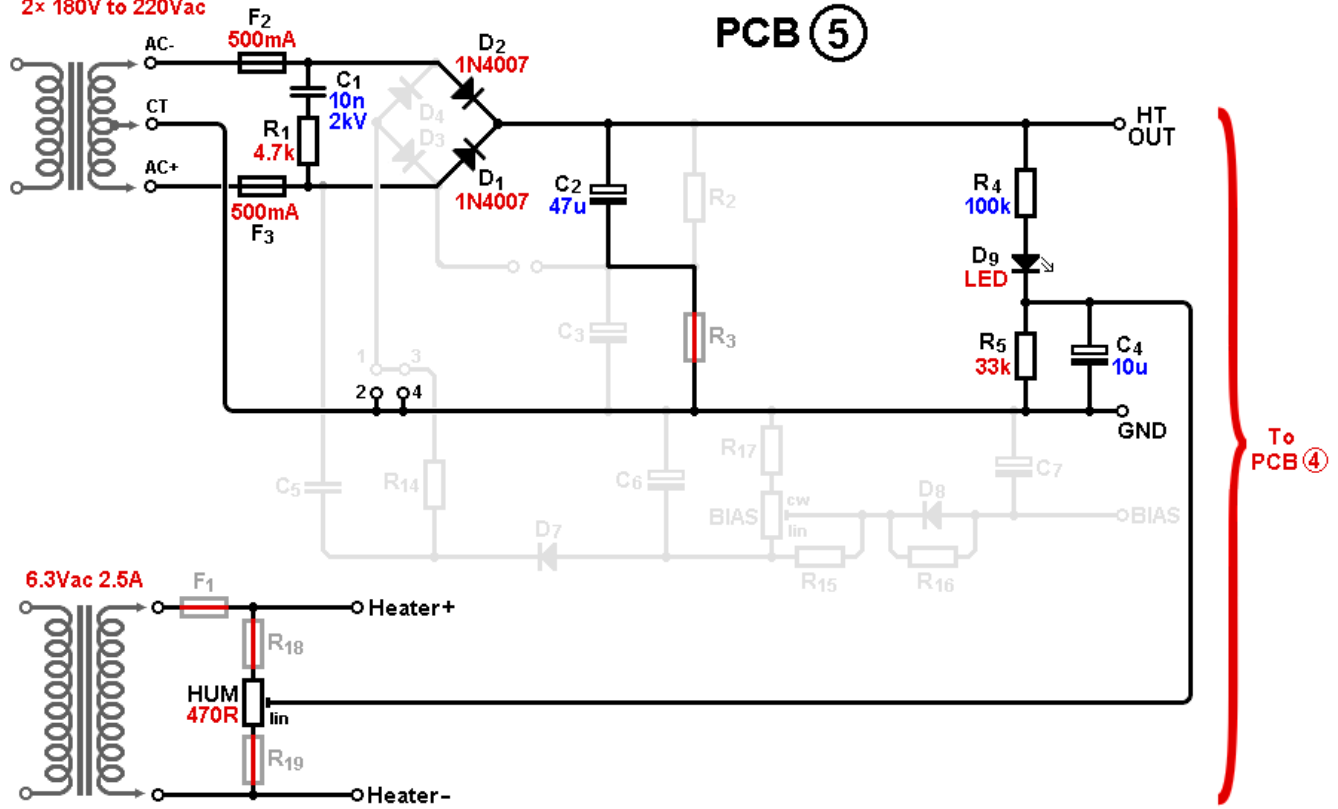
Low voltage capacitors and ¼W resistors shown in red. High voltage capacitors and 1W resistors shown in blue.





Power transformer: 150mA
2x 180V to 220Vac

PCB ⑤



To PCB ④

All resistors 1/4W unless noted

All capacitors low voltage (e.g. 16V) unless noted

PCB1		
Part	Value	Note
R1	1M	
R2	10k	
R3	1.5k	
R4	100k	1W
R5	100k	
R6	OR link	
R7B	OR link	
R8	-	
R9	-	
R10	2.2k	
R11	100k	1W
R12	820k	
R13	200k	
R14	OR link	
Rp	4.7k	1W
GAIN1	1M	log
GAIN2	OR links	

Part	Value	Note
C1	1n	
C2	1u	
C3	4.7n	400V
C4	220p	
C5	-	
C6	10u	
C7	4.7n	400V
C8	-	
C9	-	
Cp	47u	400V

PCB2		
Part	Value	Note
R1	-	
R2	OR link	
R3	820R	
R4	100k	1W
R5	10k	
R6	-	
R7	10k	
R8	-	
R9	OR link	
R10	100k	1W
Rp	4.7k	1W
TREBLE	220k	lin
MIDDLE	220k	lin
BASS	22k	lin

Part	Value	Note
C1	-	
C2	OR link	
C3	-	
C4	100n	400V
C5	330p	
C6	100n	
C7	22n	
C8	-	
C9	-	
C10	-	
Cp	47u	400V

D1	1N4007	
----	--------	--

PCB3		
Part	Value	Note
R1	1M	
R2	10k	
R3	1k	
R4	100k	1W
R5B	22k	
R6	OR link	
R7	1M	
R8	OR link	

Part	Value	Note
C1	2.2n	100V
C2	-	
C3	10n	400V
C4	-	
C5	10n	100V
C6	10n	400V
C7	-	
C8	-	

R9	-	
R10	100k	1W
Rp	4.7k	
VOLUME1	1M	log
VOLUME2	-	
PRESENCE	-	

Cp	47u	400V
----	-----	------

PCB4		
Part	Value	Note
R1	1M	
R2	1M	
R3	10k	
R4	10k	
R5	10R	
R6	270R	1W
R7	OR link	
R8	10R	
R9	270R	1W
R10	OR link	
R11	1k	1W
R12	1k	1W
Rp	4.7k	1W
MASTER	1M	log dual gang

Part	Value	Note
C1	OR link	
C2	OR link	
C3	220u	
C4	220u	
Cp	47u	400V

D1	1N4007	
D2	1N4007	
D3	1N4007	
D4	1N4007	
D5	-	
D6	-	
D7	16V	0.5W Zener
D8	-	
D9	-	
D10	16V	0.5W Zener

PCB5		
Part	Value	Note
R1	4.7k	
R2	-	
R3	-	
R4	100k	1W
R5	33k	
R6	-	
R7	-	
R8	-	
R9	-	
R10	-	
R11	-	
R12	-	
R13	-	
R14	-	
R15	-	
R16	-	
R17	-	
R18	-	
R19	-	
HUM	470R	trimpot

Part	Value	Note
C1	10n	2kV
C2	47u	400V
C3	-	
C4	10u	100V
C5	-	
C6	-	
C7	-	

D1	1N4007	
D2	1N4007	
D3	-	
D4	-	
D5	-	
D6	-	
D7	-	
D8	-	
D9	LED	

F1	-	
F2	500mA	20mm glass
F3	500mA	20mm glass